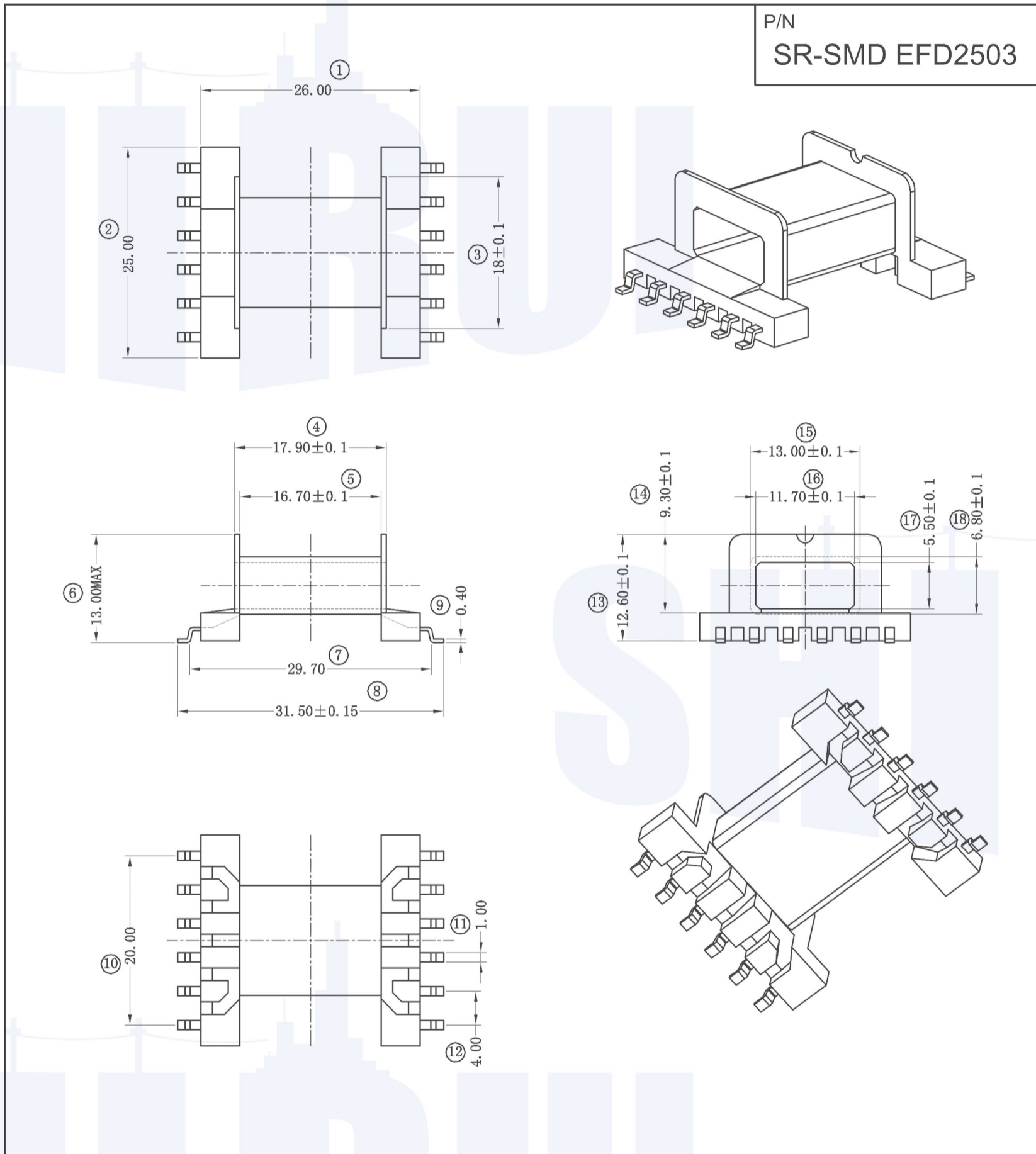


SHIRUI



P/N
SR-SMD EFD2503

		Anhui Shirui Electronic Technology Co., Ltd www.shiruitech.com TEL:(0086)55165232650 sales@shiruitech.com		
SR NO.	MATERIAL:	UNIT: mm	DRN.	WILL H
SR-SMD EFD2503	PHENOLIC	TOLERANCE	CHD.	IRINA LEE
MODEL NAME:	UL REC: UL 94V-0	0 < L ≤ 4 ±0.10	ISSD.	JAMES HU
EFD25-12P-1S H	ANGLE: ± °	4 < L ≤ 16 ±0.20		
		16 < L ≤ 64 ±0.30		
		PIN PITCH ±0.05		

Contact salesman:sales@shiruitech.com,For technique to contact :james@shiruitech.com